

**Vessel: Flat Barge / Non-Propelled Barge** **Name: MURJAN 32**



**GENERAL**

Type of Vessel	: Flat Barge / Non-Propelled Barge
Basic Functions	: Crane Barge, Transport
Build Date	: 1976
Hull Material	: Steel

**BOAT REGISTRY**

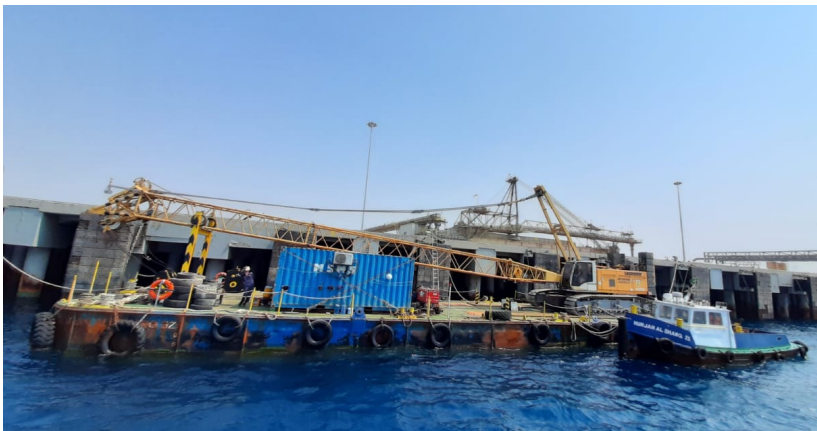
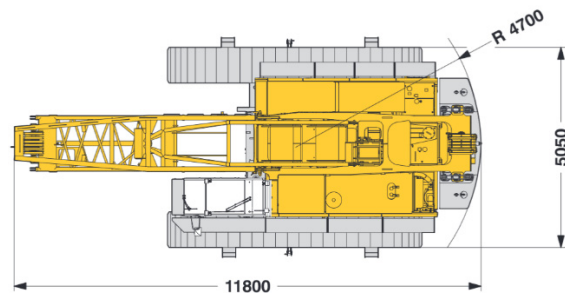
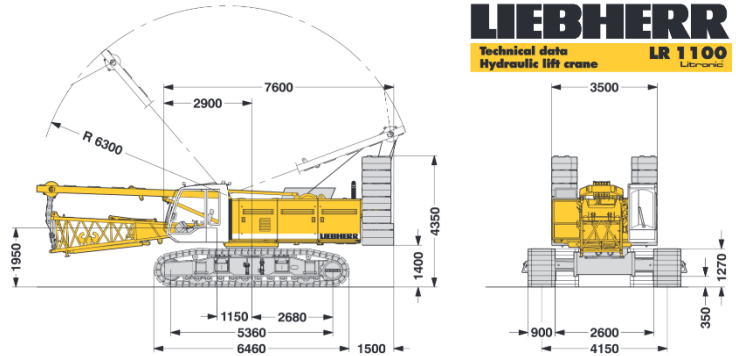
Boat's Name	: Murjan 32
Flag	: Saudi Arabia
Official Number	: 2304

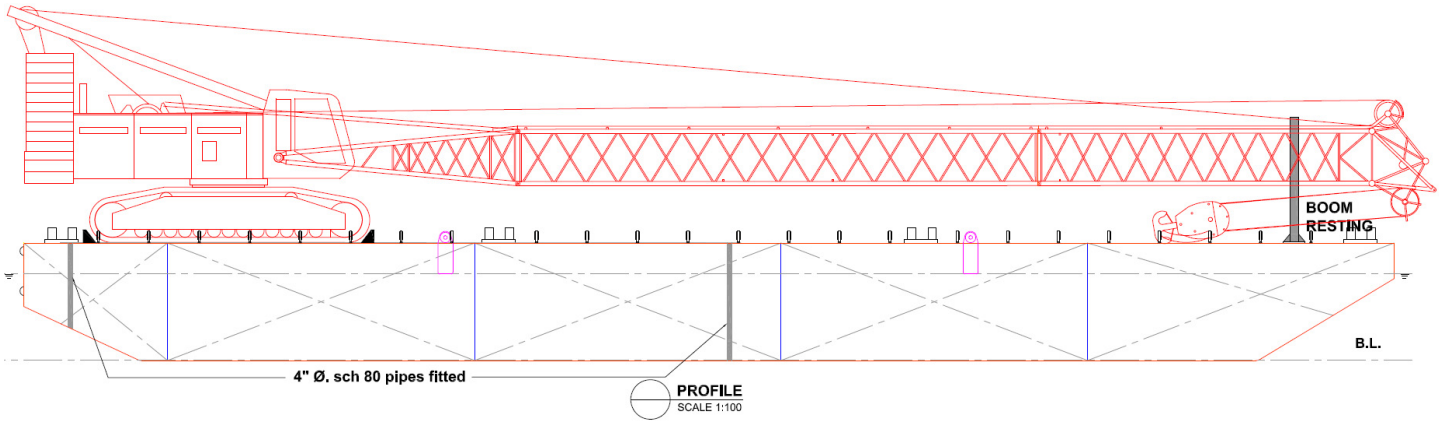
**DIMENSIONS AND WEIGHT**

Gross Tonnage	: 63.30 tons
Overall Length	: 31.50 m
Breadth	: 9.15 m
Depth	: 2.70 m
Draught	: 2.00 m

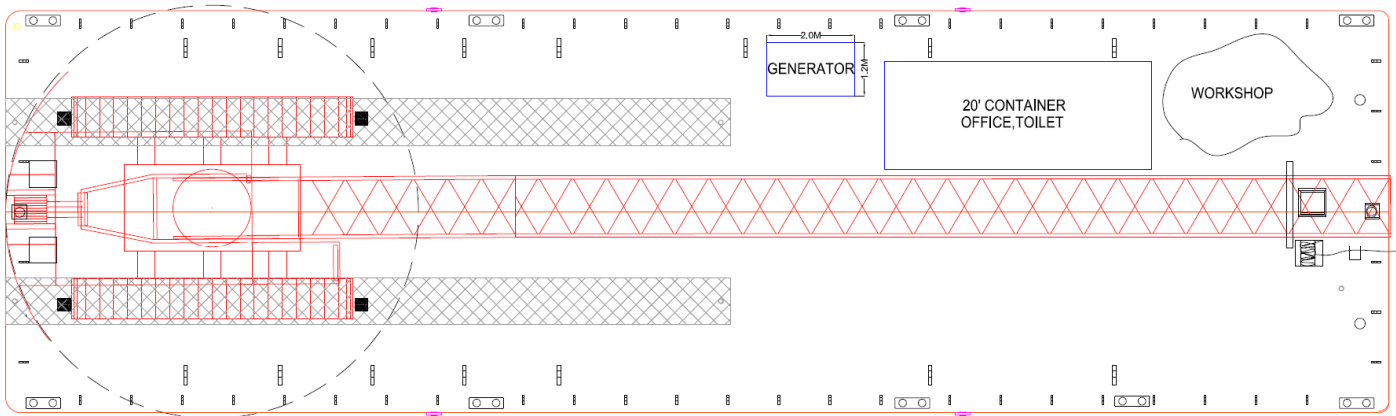
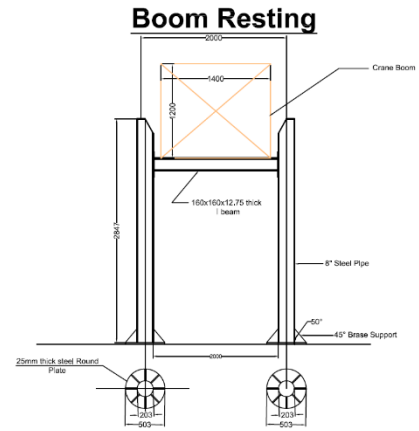
**CAPACITY**

Max Cargo Weight	: 260 tons
Fully Laden Displacement	: 373.1 tons
Lightship Displacement	: 111.1 tons
Fully Laden Draught	: 1.4 m
Light Ship Draught	: 0.45 m
Minimum Freeboard	: 1.3 m
Light Ship Freeboard	: 2.26 m





### MURJAN AL-SHARQ 32



DECK PLAN  
SCALE 1:100